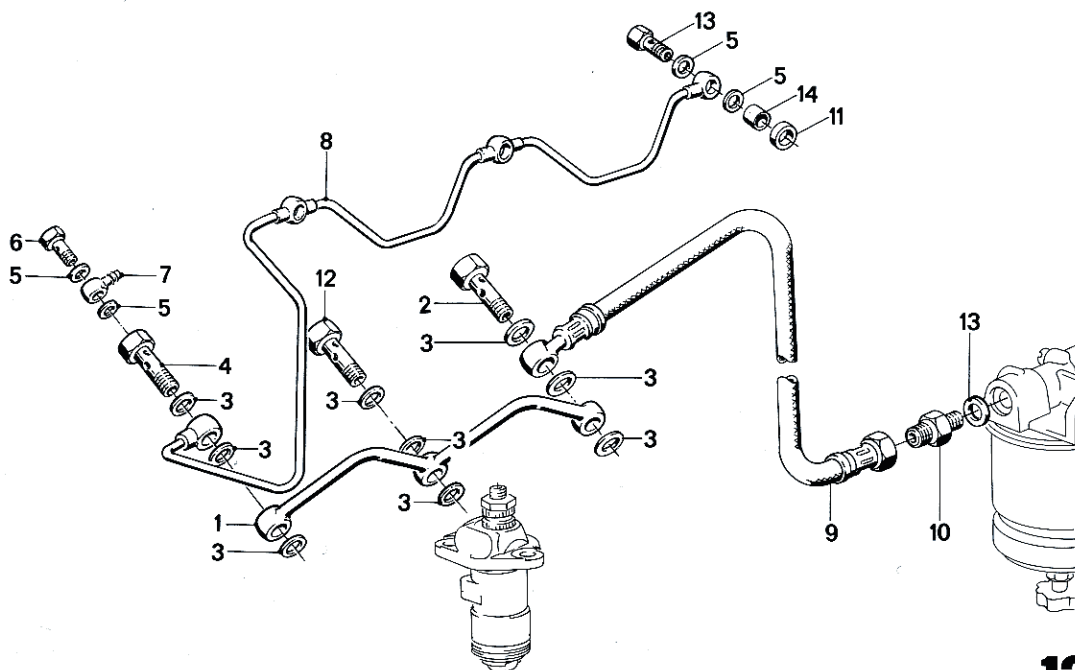


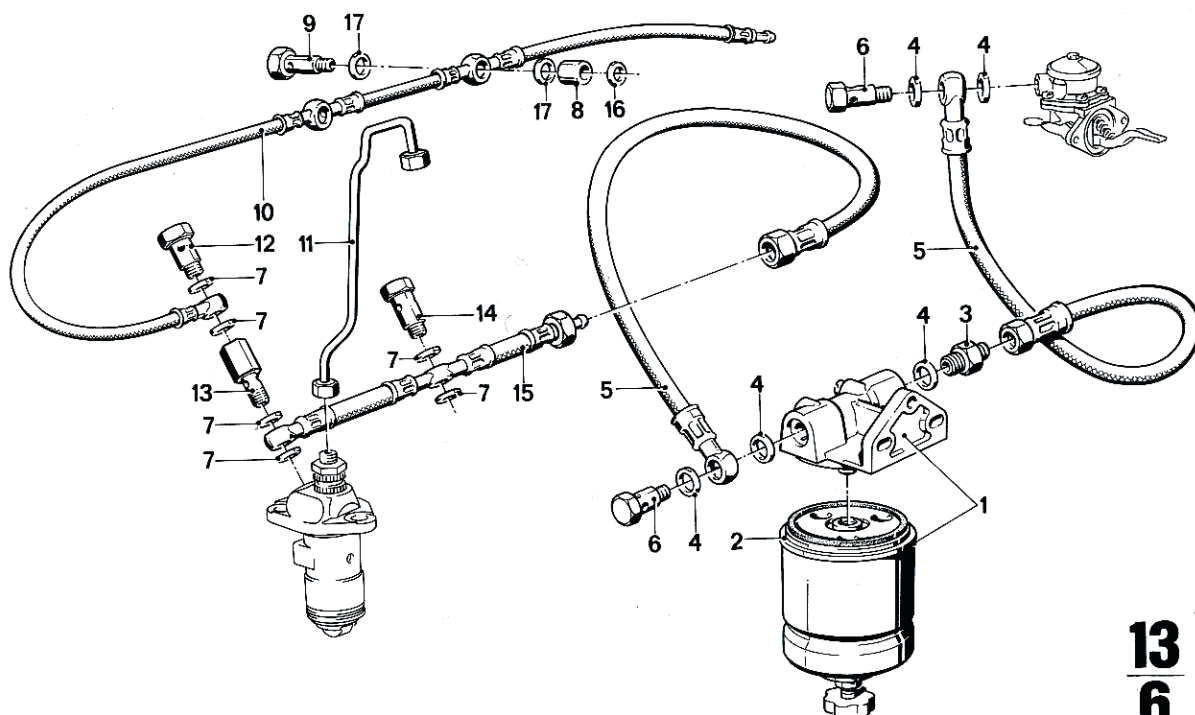
13
4
 D 35
 2/85

| 13 4 | | 11/88 | | | | | | | | | |
|---------|-----------------|--------|--|--|--|--|--------|--------|--------|--------|-----------|
| Nr. | Teile-Nummer | Symbol | Benennung | | | | D 35-1 | D 35-2 | D 50-1 | D 50-2 | Bemerkung |
| 1 | 13 31 1 333 310 | | Kraftstoffleitung / Fuel piping / Tuyau de carburant / Bränsleledning / Conduttura carburante | | | | 1 | 1 | | | |
| 2 | 13 31 1 333 600 | | Doppelhohlschraube / Double banjo bolt / Vis creuse double / Dubbelhålskräv / Doppia vite cava | | | | 1 | 1 | 1 | 1 | |
| 3 | 07 11 9963 129 | | DTRGA 12 | | | | 6 | 6 | 9 | 9 | |
| 4 | 13 31 1 333 601 | | Doppelhohlschraube / Double banjo bolt / Vis creuse double / Dubbelhålskräv / Doppia vite cava | | | | 1 | 1 | 1 | 1 | |
| 5 | 07 11 9963 042 | | DTRGA 8 | | | | 6 | 6 | 8 | 8 | |
| 6 | 07 11 9917 403 | | Hohlschraube / Banjo bolt / Vis creuse / Hålskräv / Vite cava | | | | 1 | 1 | 1 | 1 | |
| 7 | 13 31 1 329 258 | | Ringnippel / Ring nipple / Nipple annulaire / Ringnippel / Niplo annulare | | | | 1 | 1 | 1 | 1 | |
| 8 | 13 31 1 333 311 | | Kraftstoffleckleitung / Fuel leakage line / Conduite de combustible / Läckageledning, bränsle / Condotto del carburante | | | | 1 | 1 | | | |
| 9 | 13 31 1 331 589 | | Kraftstoffleitung / Fuel piping / Tuyau de carburant / Bränsleledning / Conduttura carburante | | | | 1 | 1 | 1 | 1 | |
| 10 | 07 11 9972 516 | | Einschraubstutzen / Male connector / Raccord fileté / Skruvstuts / Tronchetto filettato | | | | 1 | 1 | 1 | 1 | |
| 11 | 07 11 9963 034 | | DTRGA 6 | | | | 2 | 2 | 2 | 2 | |
| 12 | 07 11 9963 201 | | DTRGA 14 x 18 | | | | 1 | 1 | 1 | 1 | |
| 13 | 13 31 1 333 058 | | Hohlschraube / Banjo bolt / Vis creuse / Hålskräv / Vite cava | | | | 2 | 2 | 3 | 3 | |
| 14 | 13 31 1 333 057 | | Distanzrohr / Spacer tube / Bague de tube / Distansrör / Tubo distanziatore | | | | 2 | 2 | 3 | 3 | |



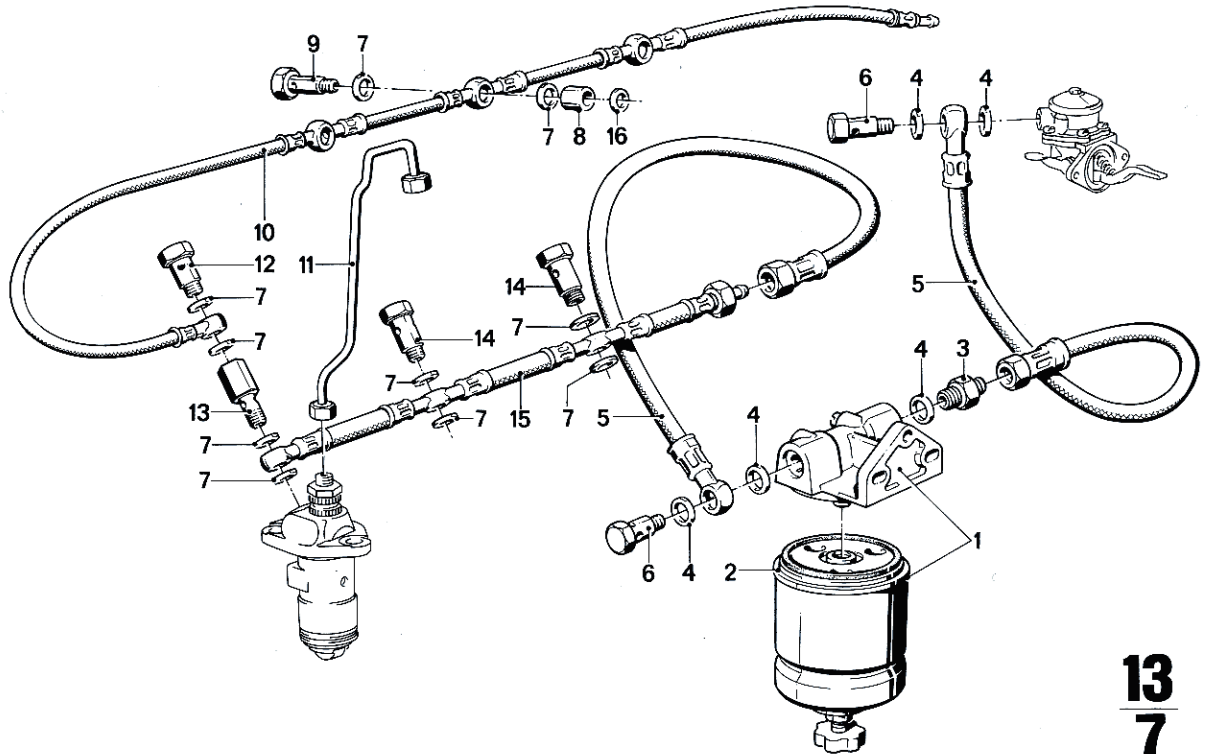
13
5
 D 50
 2/85

| 13 5 | | 11/88 | | | | | | | | | | |
|---------|----------------|--------|---|--|--|--|--------|--------|--------|--------|-----------|--|
| Nr. | Teile-Nummer | Symbol | Benennung | | | | D 35-1 | D 35-2 | D 50-1 | D 50-2 | Bemerkung | |
| 1 | 1331 1 333 312 | | Kraftstoffleitung / Fuel piping / Tuyau de carburant / Bränsleledning / Conduittura carburante | | | | | | 1 | 1 | | |
| 2 | 1331 1 333 600 | | Doppelhohlschraube / Double banjo bolt / Vis creuse double / Dubbelhålskrav / Doppia vite cava | | | | 1 | 1 | 1 | 1 | | |
| 3 | 07 119 963 129 | | DTRGA 12 | | | | 6 | 6 | 9 | 9 | | |
| 4 | 1331 1 333 601 | | Doppelhohlschraube / Double banjo bolt / Vis creuse double / Dubbelhålskrav / Doppia vite cava | | | | 1 | 1 | 1 | 1 | | |
| 5 | 07 119 963 042 | | DTRGA 8 | | | | 6 | 6 | 8 | 8 | | |
| 6 | 07 119 917 403 | | Hohlschraube / Banjo bolt / Vis creuse / Hålskrav / Vite cava | | | | 1 | 1 | 1 | 1 | | |
| 7 | 1331 1 329 258 | | Ringnippel / Ring nipple / Nipple annulaire / Ringnippel / Nipplo annulare | | | | 1 | 1 | 1 | 1 | | |
| 8 | 1331 1 333 313 | | Kraftstoffleckleitung / Fuel leakage line / Conduite de combustible / Läckageledning, bränsle / Condotto del carburante | | | | | | 1 | 1 | | |
| 9 | 1331 1 331 589 | | Kraftstoffleitung / Fuel piping / Tuyau de carburant / Bränsleledning / Conduittura carburante | | | | 1 | 1 | 1 | 1 | | |
| 10 | 07 119 972 516 | | Einschraubstutzen / Male connector / Raccord fileté / Skruvstuts / Tronchetto filettato | | | | 1 | 1 | 1 | 1 | | |
| 11 | 07 119 963 034 | | DTRGA 6 | | | | 2 | 2 | 3 | 3 | | |
| 12 | 1331 1 333 055 | | Hohlschraube / Banjo bolt / Vis creuse / Hålskrav / Vite cava | | | | 1 | 1 | 1 | 1 | | |
| 13 | 07 119 963 201 | | DTRGA 14 x 18 | | | | 1 | 1 | 1 | 1 | | |
| 14 | 1331 1 333 058 | | Hohlschraube / Banjo bolt / Vis creuse / Hålskrav / Vite cava | | | | 2 | 2 | 3 | 3 | | |
| 15 | 1331 1 333 057 | | Distanzrohr / Spacer tube / Bague de tube / Distansrör / Tubo distanziatore | | | | 2 | 2 | 3 | 3 | | |



13
6
 D 35
 2/85

| 13 6 | | 11/88 | | | | | | | | | |
|-----------------------|-----------------|--------|---|--|--|--|--------|--------|--------|--------|-----------|
| Nr. | Teile-Nummer | Symbol | Benennung | | | | D 35-1 | D 35-2 | D 50-1 | D 50-2 | Bemerkung |
| 1 | 13 32 1 329 272 | | Kraftstofffilter / Fuel filter / Filtre à carburant / Bränslefilter / Filtro carburante | | | | 1 | 1 | 1 | 1 | |
| 2 | 13 32 1 329 270 | | Wechselfilter / Easy-change filter / Filtre interchangeable / Växelfilter / Filtro secondario | | | | 1 | 1 | 1 | 1 | |
| 3 | 07 11 9972 516 | | Einschraubstutzen / Male connector / Raccord fileté / Skruvstuts / Tronchetto filettato | | | | 1 | 1 | 1 | 1 | |
| 4 | 07 11 9963 201 | | DTRGA 14 × 18 | | | | 6 | 6 | 6 | 6 | |
| 5 | 13 31 1 331 588 | | Kraftstoffleitung / Fuel piping / Tuyau de carburant / Bränsleledning / Conduittura carburante | | | | 2 | 1 | 2 | 1 | |
| 6 | 32 41 1 117 181 | | Hohlschraube / Banjo bolt / Vis creuse / Hålskruv / Vite cava | | | | 2 | 2 | 2 | 2 | |
| 7 | 07 11 9963 129 | | DTRGA 12 × 15,5 | | | | 9 | | 14 | | |
| 8 | 13 31 1 333 057 | | Buchse / Bushing / Douille / Bussning / Boccia | | | | 2 | 2 | 3 | 3 | |
| 9 | 13 31 1 333 058 | | Hohlschraube / Banjo bolt / Vis creuse / Hålskruv / Vite cava | | | | 2 | 2 | 3 | 3 | |
| 10 | 13 31 1 331 577 | | Kraftstoffleckleitung / Fuel leakage line / Conduite de combustible / Läckageledning, bränsle / Condotto del carburante | | | | 1 | | | | |
| 11 | 13 53 1 333 128 | | Kraftstoffdruckrohr / Fuel pressure pipe / Tube de refoulement de combustible / Bränsletryckrör / Tubo del carburante sotto pressione | | | | 2 | 2 | 3 | 3 | |
| 12 | 07 11 9917 409 | | Hohlschraube / Banjo bolt / Vis creuse / Hålskruv / Vite cava | | | | 1 | | 1 | | |
| 13 | 13 31 1 333 056 | | Ventilkörper / Valve body / Corpo de soupape / Ventilkropp 0 Corpo valvola | | | | 1 | | 1 | | |
| 14 | 13 31 1 333 055 | | Hohlschraube / Banjo bolt / Vis creuse / Hålskruv / Vite cava | | | | 1 | 1 | 2 | 2 | |
| 15 | 13 31 1 331 578 | | Kraftstoffleitung / Fuel piping / Tuyau de carburant / Bränsleledning / Conduittura carburante | | | | 1 | | | | |
| 16 | 07 11 9963 034 | | DTRGA 6,5 × 9,5 | | | | 2 | 2 | 3 | 3 | |
| 17 | 07 11 9963 042 | | DTRGA 8 × 11,5 | | | | 4 | 4 | 4 | 4 | |



13
7
 D 50
 2/85

| 13 7 | | 11/88 | | | | | | | | | |
|---------|-----------------|--------|---|--|--|--|--------|--------|--------|--------|-----------|
| Nr. | Teile-Nummer | Symbol | Benennung | | | | D 35-1 | D 35-2 | D 50-1 | D 50-2 | Bemerkung |
| 1 | 13 32 1 329 272 | | Kraftstofffilter / Fuel filter / Filtre à carburant / Bränslefilter / Filtro carburante | | | | 1 | 1 | 1 | 1 | |
| 2 | 13 32 1 329 270 | | Wechselfilter / Easy-change filter / Filtre interchangeable / Växelfilter / Filtro secondario | | | | 1 | 1 | 1 | 1 | |
| 3 | 07 11 9 972 516 | | Einschraubstutzen / Male connector / Raccord fileté / Skruvstuts / Tronchetto filettato | | | | 1 | 1 | 1 | 1 | |
| 4 | 07 11 9 963 201 | | DTRGA 14 x 18 | | | | 6 | 6 | 6 | 6 | |
| 5 | 13 31 1 331 588 | | Kraftstoffleitung / Fuel piping / Tuyau de carburant / Bränsleledning / Conduittura carburante | | | | 2 | 1 | 2 | 1 | |
| 6 | 32 41 1 117 181 | | Hohlschraube / Banjo bolt / Vis creuse / Hålskruv / vite cava | | | | 2 | 2 | 2 | 2 | |
| 7 | 07 11 9 963 129 | | DTRGA 12 x 15,5 | | | | 9 | | 14 | | |
| 8 | 13 31 1 333 057 | | Distanzrohr / Spacer tube / Bague de tube / Distansrör / Tubo distanziatore | | | | 2 | 2 | 3 | 3 | |
| 9 | 13 31 1 333 058 | | Hohlschraube / Banjo bolt / Vis creuse / Hålskruv / Vite cava | | | | 2 | 2 | 3 | 3 | |
| 10 | 13 31 1 331 575 | | Kraftstoffleckleitung / Fuel leakage line / Conduite de combustible / Läckageledning, bränsle / Condotto del carburante | | | | | | 1 | | |
| 11 | 13 53 1 333 128 | | Kraftstoffdruckrohr / Fuel pressure pipe / Tube de refoulement de combustible / Bränsletryckrör / Tubo del carburante sotto pressione | | | | 2 | 2 | 3 | 3 | |
| 12 | 13 31 1 333 387 | | Hohlschraube / Banjo bolt / Vis creuse / Hålskruv / Vite cava | | | | 1 | | 1 | | |
| 13 | 13 31 1 333 056 | | Ventilkörper / Valve body / Corpo de soupape / Ventilkropp / Corpo valvola | | | | 1 | | 1 | | |
| 14 | 13 31 1 333 055 | | Hohlschraube / Banjo bolt / Vis creuse / Hålskruv / Vite cava | | | | 1 | | 2 | 2 | |
| 15 | 13 31 1 331 576 | | Kraftstoffleitung / Fuel piping / Tuyau de carburant / Bränsleledning / Conduittura carburante | | | | | | 1 | | |
| 16 | 07 11 9 963 034 | | DTRGA 6,5 x 9,5 | | | | 2 | 2 | 3 | 3 | |