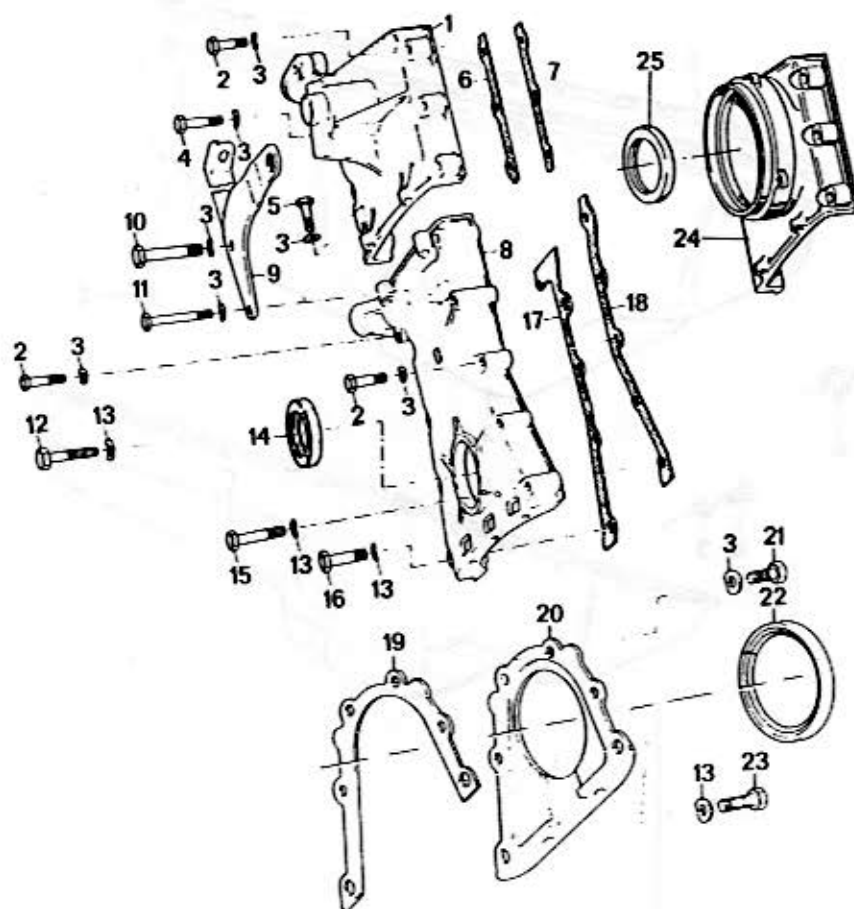


11
12

B 130-190-220-635
1/87

11 12		1/87					B 130	B 190	B 220	B 635	Bemerkung
Nr.	Teile-Nummer	Symbol	Benennung				B 130	B 190	B 220	B 635	
1	11 14 1 330 007		Abschlußdeckel / Cover / Couvercle de fermeture / Lock / Coperchio di chiusura				1				
2	07 11 9932 095		B8 Federscheibe / Spring washer / Rondelle élastique / Fjäderbricka / Rosetta elastica				3	3	3	3	
3	07 11 9913 676		6 KT SHR M 8 x 35				3				
4	11 14 1 278 108		DTRG				1				
5	07 11 9932 072		B6 Federscheibe / Spring washer / Rondelle élastique / Fjäderbricka / Rosetta elastica				3	13	13	13	
6	07 11 9912 303		6 KT SHR M 6 x 35				8	9	9	9	
7	07 11 9912 310		6 KT SHR M 6 x 40				1	2	2	2	
8	07 11 9913 483		6 KT SHR M 6 x 25				2	2	2	2	
9	11 14 1 330 006		Deckel / Cover / Couvercle / Lock / Coperchio				1				
10	11 14 1 259 860	L	Dichtung / Seal / Garniture / Packning / Guarnizione				1				
11	11 14 1 259 861	R	dito				1				
12	11 14 1 259 862	L	dito				1				
13	11 14 1 259 863	R	dito				1				
14	11 12 1 278 954		Paßhülse / Fitting sleeve / Douille d'ajustement / Passhylsa / Boccola d. aggiustaggio				4				



11
14

B 130/B 190/B 220/B 635
1/87

11 14		1/87								
Nr.	Teile-Nummer	Symbol	Benennung	B 130	B 190	B 220	B 635	Bemerkung		
1	11 14 1 330 043		Deckel / Cover / Couvercle / Lock / Coperchio		1	1				
2	07 11 99 12 303		6 KT SHR M6 x 35	8	9	9	9			
3	07 11 99 32 072		B6 Federscheibe / Spring washer / Rondelle élastique / Fjäderbricka / Rosetta elastica	11	17	17	17			
4	07 11 99 12 310		6 KT SHR M6 x 40	1	2	2	2			
5	07 11 99 13 483		6 KT SHR M6 x 25	2	2	2	2			
6	11 14 1 259 864	L	Dichtung / Seal / Garniture / Packning / Guarnizione		1	1	1			
7	11 14 1 259 865	R	dito		1	1	1			
8	11 14 1 330 044		Abschlußdeckel / Cover / Couvercle de fermeture / Lock / Coperchio di chiusura		1	1	1			
9	11 14 1 326 785		Lasche / Shackle / Attache / Länk / Biscottino		1	1				
	11 14 1 332 406		dito				1			
10	07 11 99 12 524		6 KT SHR M8 x 55		1	1	1			
11	07 11 99 12 357		6 KT SHR M6 x 65		1	1	1			
12	07 11 99 12 506		6 KT SHR M8 x 45		2	2	2			
13	07 11 99 32 095		B8 Federscheibe / Spring washer / Rondelle élastique / Fjäderbricka / Rosetta elastica	3	3	3	3			
14	11 14 1 715 100		DTRG		1	1	1			
15	07 11 99 12 506		6 KT SHR M8 x 45		2	2	2			
16	07 11 99 13 679		6 KT SHR M8 x 40		1	1	1			
17	11 14 1 259 866	L	Dichtung / Seal / Garniture / Packning / Guarnizione		1	1	1			
18	11 14 1 259 867	R	Dichtung / Seal / Garniture / Packning / Guarnizione		1	1	1			
19	11 14 1 250 073		dito		1	1	1			
20	11 14 1 250 032		Abschlußdeckel / Cover / Couvercle de fermeture / Lock / Coperchio di chiusura		1	1	1			
21	07 11 99 13 477		6 KT SHR M6 x 20		4	4	4			
22	11 14 1 706 999		DTRG	1	1	1	1			
23	07 11 99 13 657		6 KT SHR M8 x 25	2	2	2	2			
24	11 14 1 332 943		Deckel / Cover / Couvercle / Lock / Coperchio							
25	11 14 1 271 415		Wellendichtring / Shaft seal ring / Garniture d'arbre / Axeltätning / Anello di tenuta				1			